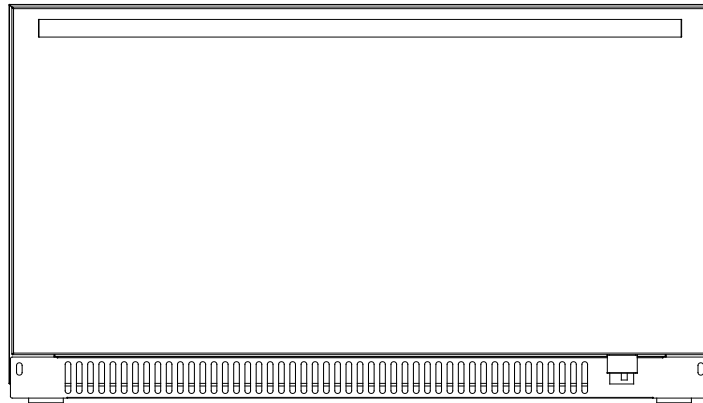


# SUMMIT DREAMBILT

## FROST-FREE WARMING AND COOLING DRAWER

*Model Nos. SPHC30 / SPHC36 / DBHCD3000 / DBHCD3610*



### ***User Manual***

**BEFORE USE, PLEASE READ AND FOLLOW ALL SAFETY RULES AND OPERATING INSTRUCTIONS.**

*Write Serial Number (on lower left outside of drawer) here:*

Serial No.: \_\_\_\_\_

**Felix Storch, Inc.**  
An ISO 9001:2015 registered company  
770 Garrison Avenue  
Bronx, NY 10474  
[www.summitappliance.com](http://www.summitappliance.com)

# TABLE OF CONTENTS

<b>Appliance Safety</b>	<b>3</b>
<b>Important Safeguards</b>	<b>3-5</b>
<b>Disposal</b>	<b>5</b>
<b>Location of Parts</b>	<b>6</b>
<b>Installation Instructions</b>	<b>7-10</b>
<i>Before Using your Appliance</i>	7
<i>Installation of your Appliance</i>	7
<i>Electrical Connection</i>	7-8
<i>Extension Cord</i>	8
<i>Installing the Stainless Steel Handle</i>	8
<i>Installing the Anti-tip Brackets</i>	9
<i>Full Overlay Panel Installation Instructions</i>	10
<b>Operating your Appliance</b>	<b>11-14</b>
<i>Control Panel</i>	11-12
<i>Cooling Mode</i>	12
<i>Heating Mode</i>	12-13
<i>Sabbath Mode</i>	13
<i>Temperature Memory Function</i>	13
<i>Defrosting</i>	13
<i>Temperature Alarm/Door Alarm</i>	13
<i>Correct Use for Warming</i>	14
<b>Care and Maintenance</b>	<b>15-16</b>
<i>Cleaning your Appliance</i>	15
<i>Power Failure</i>	15
<i>Vacation Time</i>	15
<i>Moving your Appliance</i>	15
<i>Energy-Saving Tips</i>	15-16
<b>Troubleshooting</b>	<b>17-18</b>
<b>Limited Warranty</b>	<b>20</b>

# APPLIANCE SAFETY

Your safety and the safety of others are very important.

We have provided many important safety messages in this manual and on your appliance. Always read and obey all safety messages.



This is the Safety Alert Symbol. The symbol alerts you to potential hazards that can kill or injure you and others. All safety messages will follow the Safety Alert Symbol and either the word DANGER or WARNING.



DANGER means that failure to heed this safety statement may result in severe personal injury or death.



WARNING means that failure to heed this safety statement may result in extensive product damage, serious personal injury, or death.

All safety messages will alert you about the potential hazard, tell you how to reduce the chance of injury, and let you know what can happen if the instructions are not followed.

---



## IMPORTANT SAFEGUARDS

Before the appliance is used, it must be properly positioned and installed as described in this manual, so read the manual carefully. To reduce the risk of fire, electrical shock or injury when using the appliance, follow basic precautions, including the following:



Connect the unit to a power supply with grounding, do not remove grounding wire, do not use an adapter, and do not use an extension cord.

Replace all parts and panels before operating.

It is recommended that a separate circuit serving only your appliance be provided.

**WARNING:** Never clean appliance parts with flammable fluids. These fumes can create a fire hazard or explosion. And do not store or use gasoline or other flammable vapors and liquids or explosive substances such as aerosol cans with a flammable propellant in this appliance or in the vicinity of this or any other appliance. The fumes can create a fire hazard or explosion.

Do not connect or disconnect the power when your hands are wet.

Disconnect the power before cleaning or servicing. Failure to do so can result in electrical shock or death.

Do not install, repair, or replace any part of the appliance unless specifically recommended in the literature accompanying it. A qualified service technician should perform all other service.



**A3** Warning: Risk of Fire / Flammable Materials.

**WARNING:** This appliance is CFC- and HFC-free and contains small quantities of Isobutane (R600a)

which is environmentally friendly, but flammable. It does not damage the ozone layer, nor does it increase the greenhouse effect. Care must be taken during transportation and setting up of the appliance that no parts of the cooling system are damaged. Leaking coolant can ignite and may damage the eyes.

In the event of any damage:

- Avoid open flames and anything that creates a spark,
- Disconnect from the power source,
- Air the room in which the appliance is located for several minutes, and
- Contact the Service Department for advice.

The more coolant there is in an appliance, the larger the room in which it should be installed. In the event of a leakage, if the appliance is in a small room, there is the danger of combustible gases building up. For every ounce of coolant, at least 325 cubic feet of room space is required. The amount of coolant in the appliance is stated on the data plate inside the appliance. It is hazardous for anyone other than an Authorized Service Person to carry out servicing or repairs to this appliance.

Take serious care when handling, moving, and using the appliance to avoid either damaging the refrigerant tubing or increasing the risk of a leak.

Replacing component parts and servicing shall be done by factory-authorized service personnel so as to minimize the risk of possible ignition due to incorrect parts or improper service.

This appliance is not intended for use by persons (including children) with reduced physical, sensory, or mental capabilities, or lack of experience and knowledge, unless they have been given supervision or instruction concerning use of the appliance by a person responsible for their safety.

Children should be supervised to ensure that they do not play with the appliance.

Do not touch the heating element or the interior surface of the appliance after using the warming function. These surfaces may be hot enough to burn. The inside surfaces of the appliance may be hot when opened.



#### FOLLOW WARNING CALLOUTS BELOW ONLY WHEN APPLICABLE TO YOUR MODEL

Use two or more people to move and install appliance. Failure to do so can result in back or other injury.

**WARNING:** Keep ventilation openings, in the appliance enclosure or in the built-in structure, clear of obstruction.

**WARNING:** Do not use mechanical devices or other means to accelerate the defrosting process or to clean, other than those recommended by the manufacturer.

**WARNING:** The appliance shall be stored in a room without continuously operating ignition sources (for example: open flames, an operating gas appliance or an operating electric heater).

**WARNING:** Do not pierce or burn. Do not damage the refrigerant circuit.

**WARNING:** Be aware that refrigerants may not contain an odor.

**WARNING:** Do not use electrical appliances inside the food storage compartments of the appliance, unless they are of the type recommended by the manufacturer.

**WARNING:** To avoid a hazard due to instability of the appliance, it must be fixed in accordance with the instructions.

**WARNING:** Danger of injury from LED lamp. If the cover is defective: do not look directly into the illumination with optical lenses from close proximity. The eyes can be injured.

**CAUTION:** Use this appliance only for its intended purpose. This equipment is intended for the storage and display of packaged products only.

To ensure proper ventilation for your appliance, the front of the unit must be completely unobstructed. Choose a well-ventilated area with temperatures above 44°F (7°C) and below 100°F (38°C).

The appliance should not be located next to ovens, grills, or other sources of high heat.

The appliance must be installed with all electrical, water and drain connections in accordance with state and local codes. A standard electrical supply (115 V AC only, 60 Hz), properly grounded in accordance with the National Electrical Code and local codes and ordinances, is required.

Do not kink or pinch the power cord of the appliance.

To protect against electrical shock do not immerse cord in water or other liquid.

The size of the fuse (or circuit breaker) should be 15 amperes.

It is important that the appliance be leveled in order to work properly. You may need to make several adjustments to level it.

Make certain that the pipes are not pinched, kinked, or damaged during installation.

Check for leaks after connection.

Never allow children to operate, play with or crawl inside the appliance.

Do Not Leave Children Alone - Children should not be left alone or unattended in area where the appliance is in use. They should never be allowed to sit or stand on any part of the appliance.

Use Care When Opening Door – Let hot air or steam escape before checking or removing the content.

Do Not Heat Unopened Food Containers – Build-up of pressure may cause container to burst and result in injury.

Do not use solvent-based cleaning agents or abrasives on the interior. These cleaners may damage or discolor the interior.

Use this appliance only for its intended purpose as described in this *Instruction Manual*.

Keep fingers out of the “pinch point” areas. Clearances between the drawers and cabinet are necessarily small. Be careful closing drawers when children are in the area.

Do not store explosive substances such as aerosol cans with a flammable propellant in this appliance.

If the SUPPLY CORD is damaged, it must be replaced by the manufacturer, its service agent, or similarly qualified persons in order to avoid a hazard.

The means for disconnection must be incorporated in the fixed wiring in accordance with the wiring rules.

#### CAUTION

Do not use any methods other than those recommended by the manufacturer to speed up the defrosting process or to clean the appliance.

The appliance must be stored in a room free from sources of ignition (open flames, gas appliance, or electric heating device in operation, for example).

Do not pierce or burn.

Be careful, refrigerants may not give off an odor.



#### ***Risk of child entrapment!***

Child entrapment and suffocation are not problems of the past. Junked or abandoned appliances are still dangerous, even if they will “just sit for a few days.”

*Before you throw away your old appliance:*

*Take off the doors*

*Leave the shelves in place so that children may not easily climb inside.*

**- SAVE THESE INSTRUCTIONS -**

# DISPOSAL

Dispose of your appliance packaging properly. Ensure that any plastic wrappings, bags, etc., are disposed of safely and kept out of the reach of babies and young children. **Danger of suffocation!**

Refrigeration equipment must be properly disposed of in a professional and appropriate way, in accordance with the current local regulations and laws which protect the environment. This applies to your old appliance and to your new unit once it has reached the end of its service life.

**WARNING:** Please ensure that old, worn appliances are rendered unusable before disposal by removing the doors, removing the plug, cutting the network cable, and removing or destroying any snap fastenings or bolts. Leave shelving in place. You will thus prevent children from locking themselves in the appliance during play (risk of suffocation) or endangering their lives in any other way. **DO NOT** dispose of the appliance in landfill as the insulation (Cyclopentane) and refrigerant gas (R600a) contained in these appliances are flammable.

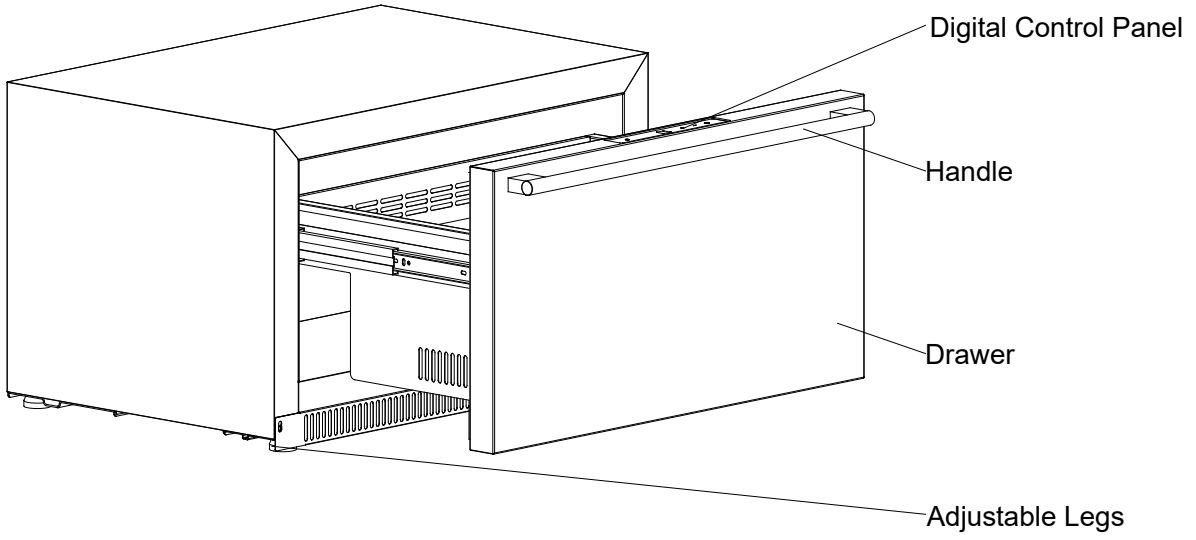
## **Disposal instructions:**

The appliance must not be disposed of in the dustbin or with normal household rubbish.

The coolant circuit, particularly the heat exchanger at the back/bottom of the unit, must not be damaged.

The appliance is not to be handled as normal household waste but is to be taken to a recycling collection point for electrical and electronic goods. By correctly disposing of this product, you are contributing to the protection of the environment and to the health of your fellow human beings. Improper disposal endangers health and the environment. Further information about the recycling of the product may be obtained from your town hall, refuse collection department or the store where you purchased the product.

# LOCATION OF PARTS



# INSTALLATION INSTRUCTIONS

## Before Using your Appliance

Remove the exterior and interior packing.

Before connecting the appliance to the power source, let it stand upright for approximately 2 hours. This will reduce the possibility of a malfunction in the cooling system from handling during transportation.

Clean the interior surface with lukewarm water using a soft cloth.

Install the handles on the drawer if they are not already attached. (See page 8.)

**WARNING:** Flammable refrigerant used, to minimize the risk of possible ignition due to incorrect parts, component parts shall be replaced with like components.

## Installation of your Appliance

The appliance is designed for built-in or recessed or free-standing installation for indoor or outdoor use or use in other similar environments.

**WARNING:** Flammable refrigerant used, the appliance is to be installed in accordance with the Safety Standard for Refrigeration Systems, ANSI/ASHRAE 15.

*CAUTION: This appliance is not designed for the storage of medicine or other medical products.*

Place your appliance on a surface that is strong enough to support it when it is fully loaded. To level the unit, adjust the front leveling legs.

For built-in installation, it is necessary to keep ¼" (6.35mm) space on each side and at the top and 2" (51mm) at the rear. At the same time replace the current four feet by four NSF recognized 6 inches height legs (The legs are not provided and can be purchased from our service center.). Even for free-standing installation, 5" (127mm) of space between the back and sides of the unit, and 4" (102mm) at the top, are suggested. This allows the proper air circulation to cool the compressor and condenser. Take care that the air vent at the front of the appliance is never covered or blocked in any way.

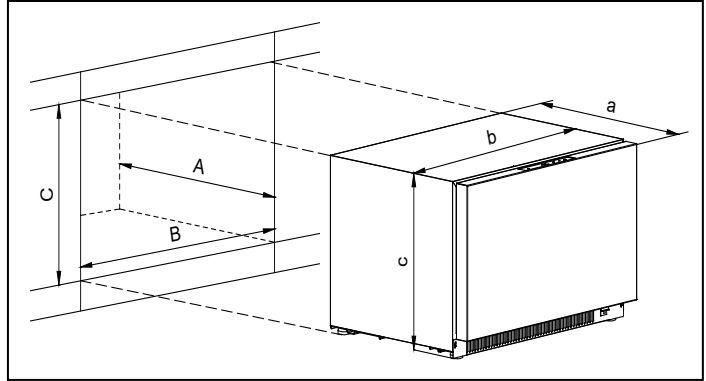
**NOTE:** It is recommended that you do not install the appliance near an oven, radiator, or other heating source. Direct sunlight may affect the outer coating and heat sources may increase electrical consumption. Do not install in a location where the temperature will fall below 44°F (7°C). For best performance, do not install the appliance behind a cabinet door or block the base grille.

Avoid locating the unit in moist areas.

Connect the appliance to the proper electrical voltage and frequency as specified on the rating label.

### Built-in or Recessed Instructions

Make sure your installation does not block the front ventilation grille. And be sure the door will open and close properly in the chosen location. Then loose the two ventilation grille screws at the two sides and slide it to the floor to ensure that the feet are concealed from front view. Tighten the screws to lock the grille in position and sealed to the floor.



**NOTE:** When pushing the appliance into the niche, make sure that the mains cable does not get trapped.

Model No.	a (Inch/mm)	b (Inch/mm)	c (Inch/mm)	A (Inch/mm)	B (Inch/mm)	C (Inch/mm)
SPHC30 / DBHCD3000	22" / 559	29½" / 750	17¾" / 450	≥ 23" / 585	30" / 762	18" / 455
SPHC36 / DBHCD3610	22" / 559	35½" / 900	17¾" / 450	≥ 23" / 585	36" / 915	18" / 455

### Electrical Connection



Improper connection of the equipment-grounding can result in the risk of electrical shock. If the power cord is damaged, have it replaced by a qualified electrician or an authorized service

The appliance must be properly installed and grounded by a qualified technician in accordance with the National Electrical Code ANSI/NFPA No. 70 (Latest Edition) and local electrical code requirements. Installation should be made by a licensed electrician.

The unit may be connected by means of permanent Hard Wiring or Power Supply Cord Kit. Power supply cord is not supplied but is available through your local electric supply house.

Use only 3-conductor UL listed cord rated at 15 amps with 125V minimum voltage range. These cords may be provided with strain relief or conduit connector.

The unit must be connected to the proper electrical voltage and frequency as specified on the rating label.

The unit can be connected directly to the fused disconnect (or circuit breaker box) through flexible, armored or non-metallic sheathed, copper cable (with grounding wire). Allow as much slack as possible in the line so that the unit can be moved if servicing becomes necessary in the future.

To prevent accidental injury, the cord should be secured behind the appliance and not left exposed or dangling.

**For personal safety, the appliance must be properly grounded.**

Remove house fuse or open circuit breaker before beginning installation.

Do not attempt to repair or replace any part of the appliance unless it is specifically recommended in this manual. All other servicing should be referred to a qualified technician.

To minimize the possibility of electric shock, disconnect this appliance from the A/C power supply before

attempting any maintenance.

Before installing this appliance, please check the rating on the rating label located on the left cover of this appliance.

**NOTE:** *Turning the appliance off does not disconnect the appliance from the power supply. We recommend having a qualified technician service your appliance.*

## Power Cord Installation

Remove the compressor room plate on the back of the appliance by removing the 4 fixing screws.

Assemble the strain relief in the hole on bracket.

Insert the power cord through the strain relief and tighten.

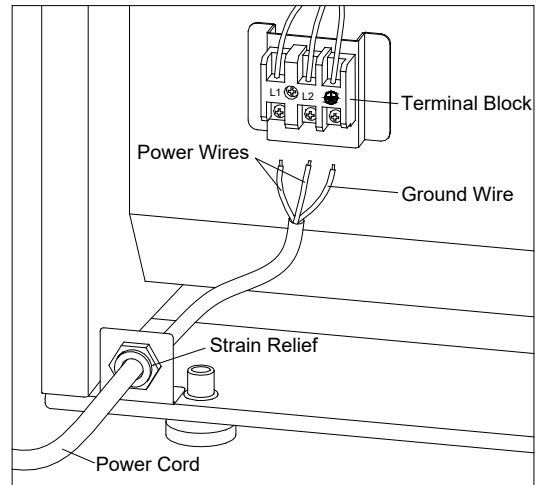
Allow enough slack to easily attach the cord terminals to the terminal block.

Unscrew and loose the 3 wire terminal nuts and washers from the terminal block.

Plug the cord terminals into the terminal block. The ground wire of the power cord must be connected to the ground terminal located in the right of terminal block. The power LIVE wire must be connected to the left terminal, which is marked with the letter L1, and the power NEUTRAL wire must be connected to the middle terminal which is marked with the letter L2.

Tighten nuts securely.

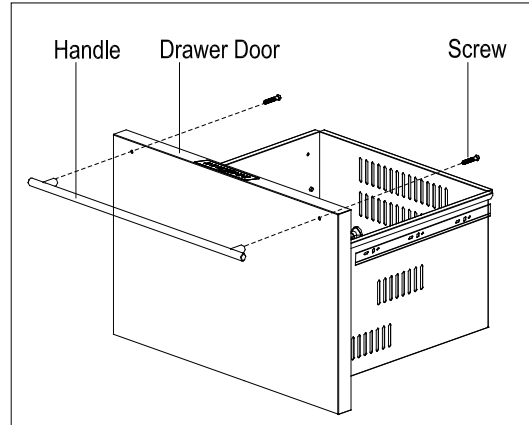
Assemble the compressor room Plate.



### Installing the Stainless Steel Handle

This appliance includes a stainless steel handle that is not required to operate the unit. To install the handle, follow the instructions below:

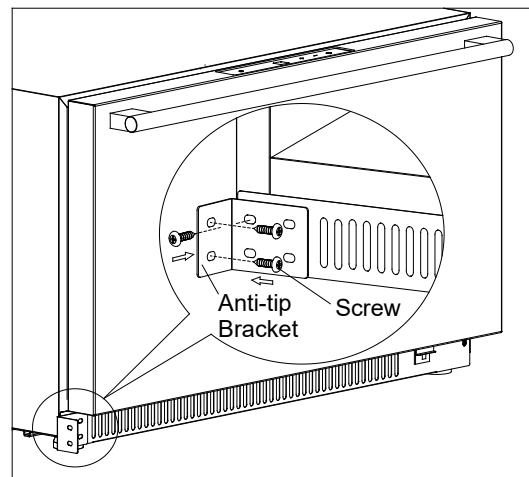
1. Remove the door gasket.
2. Install the handle with the screws provided. (DO NOT over-tighten as this will cause damage to the stainless steel door surface.)
3. Replace the door gasket.



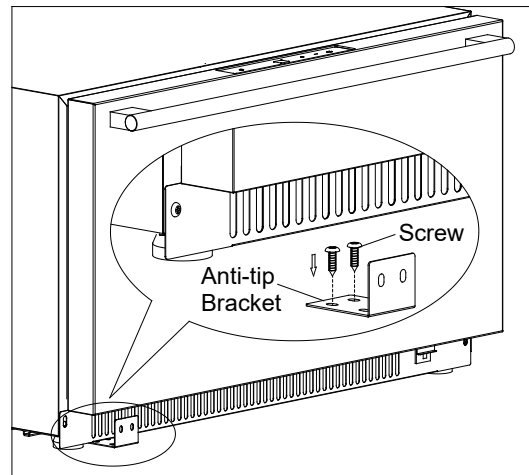
### Installing the Anti-Tip Brackets

Included with this unit is a pair of anti-tip brackets to help prevent the unit from moving inside the countertop when opening the drawer.

Place the provided brackets in front of the unit's ventilation grille as shown the figure. Then, secure the brackets to both walls and the unit using the included screws.



**NOTE:** If the unit is installed freestanding, please place the brackets in front of the unit's ventilation grille and secure the brackets to the surface it is being used on by the included screws.



## Full Overlay Panel Installation Instructions

These models are designed for field-installed overlay panels. The overlay panels cover the stainless steel to give a built-in appearance. The overlay panel and appropriate hardware are not included with the unit and the end user needs to prepare them himself.

Please follow the instructions below for installation:

Remove any items stored inside the drawers.

Press the right slide release lever down and at the same time lift the corresponding left slide lever up and pull the drawer out until it is free of tracks and the cabinet. (Fig. 1)

Peel off the gasket and remove the handle by removing the two screws that attach the handle to the door.

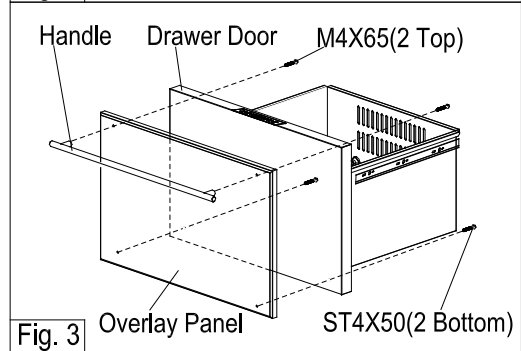
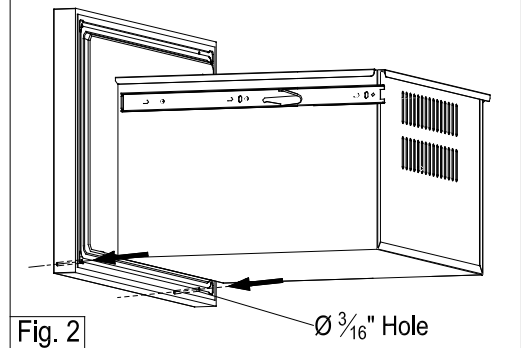
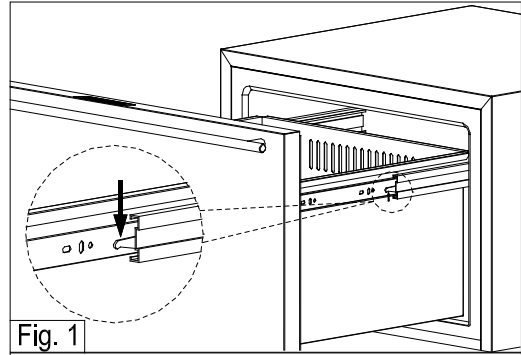
Drill the 2 holes shown by using a 3/16" drill bit on the bottom of drawer door front. (Fig. 2)

Cut the overlay panels with thickness 3/4" to the following dimensions: 29.5" x 15.6" for SPHC30 / DBHCD3000 and 35.4" x 15.6" for SPHC36 / DBHCD3610.

If reusing the handles that came with the unit, drill two holes with diameter 3/16" in the overlay panel. Attach the handle and overlay panel together to the drawer face using 2 M4x65 screws and through the upper 2 existing holes inside the door groove. Then attach the overlay panel to the drawer face using 2 wood screws #10x2 (ST4x50) Type AB Phillips and through the lower 2 existing holes inside the door groove. (Fig. 3)

If user-supplied handles will be used, attach the handles to the overlay panels by using the flat head screws and drive the screws flush with the panels. Then attach the overlay panel to the drawer face using the 4 wood screws #10x2 (ST4x50) and through the 4 existing holes inside the door groove.

Peel back the gaskets, then align the left and right slide channels with the tracks in the cabinet. Ensuring an even track engagement on both sides, gently push the drawer into the cabinet until it stops.



# OPERATING YOUR APPLIANCE

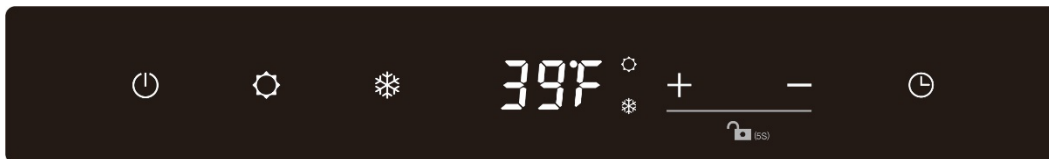
This appliance is designed for operation at certain ambient temperatures. The test room climatic class is specified on the rating plate.

It is recommended you install the appliance in a place where the ambient temperature is between 44° and 100°F (7° to 38°C). If the ambient temperature is above or below the recommended temperatures, the performance of the unit may be affected. For example, placing your unit in extremely cold or hot conditions may cause interior temperatures to fluctuate. The expected operating temperature range may not be reached.



Test room climatic class	Test room dry bulb temperature °C / relative humidity %
0	20°C / 50%
1	16°C / 80%
2	22°C / 65%
3	25°C / 60%
4	30°C / 55%
5	40°C / 40%
6	27°C / 70%
7	35°C / 70%
8	24°C / 55%

The telescopic runners can support a maximum load of 30 kg. Overloading or leaning or sitting on the drawer will damage the telescopic runners.

## Control Panel



### **ON/OFF Power**

To turn the appliance off, touch and hold the  key for 5 seconds until the temperature display goes off. To turn the appliance on, touch and hold the  key for 1 second until the temperature display lights up.

**NOTE:** Touching the POWER key once can switch off the audible alarm when the alarm is on.

### **Heating**

Used to select or cancel the heating mode by touching and holding for 3 seconds. When the heating mode is selected, the heating mode indicator  lights up.

### **Cooling**

Used to select or cancel the cooling mode by touching and holding for 3 seconds. When the cooling mode is selected, the cooling mode indicator  lights up.

### **Up +**

Used to increase (warm) the set temperature by 1°C/1°F. Press and hold the key can advance the values rapidly.

### **Down -**

Used to decrease (cool) the set temperature by 1°C/1°F. Press and hold the key can advance the values rapidly.

### **Timer ⌚**

Used to set the timer in heating mode.

Select the temperature display setting in Fahrenheit or Celsius degree. To change the temperature from Fahrenheit to Celsius or from Celsius to Fahrenheit, press and hold the Timer key for 5 seconds.

### **Indicator Light**

The indicator light is the dot located at the top left corner of the display. The indicator light will be on when a multi-key function is selected. To perform a multi-key function, touch and hold the first key, then touch the second key for at least 5 seconds and then release both keys.

### **Child Lock**

The child lock will be activated automatically if in 2 minutes or longer, no key is touched. To cancel the lock, touch the UP and DOWN keys at the same time for at least 5 seconds and the indicator light will flash three times to confirm the action.

### **Cooling Mode**

To initiate the cooling mode, touch and hold the cooling key for 3 seconds until the cooling mode indicator lights up. The cooling mode can be canceled by repeating the above process until the cooling mode indicator goes off.

Cooling mode is the default mode. After connecting the unit into the power supply for the first time, the unit will operate in cooling mode automatically if in 10 seconds no mode has been selected.

You can set the temperature by touching the UP and DOWN keys. When you touch either of the two keys for the first time, the LED readout will show the original temperature set previously. (The temperature preset at the factory is 38°F or 3°C.)

The temperature you are setting will increase by one degree each time you touch the UP key and will decrease by one degree each time you touch the DOWN key.

The range of set temperatures is from 36°F/2°C to 43°F/6°C.

To view the set temperature at any time, touch the UP or DOWN key. The set temperature will temporarily flash in the display window for 5 seconds. Then the display shows the current inner temperature again.

#### **NOTE:**

If the unit is disconnected from the power or power is lost or turned off, you must wait 3 to 5 minutes before restarting the unit. If you attempt to restart before this time delay, the unit will not start.

When you use the unit for the first time or restart the unit after it has been shut off for a long time, there could be a few degrees variance between the temperature you select and the one indicated on the LED readout. This is normal and is due to the length of the activation time.

There should not be a problem once the unit has been running for a few hours.

## Heating Mode

To initiate the heating mode, touch and hold the heating key for 3 seconds until the heating mode indicator lights up. The heating mode can be canceled by repeating the above process until the heating mode indicator goes off.

You can set the temperature by touching the UP and DOWN keys. When you touch either of the two keys for the first time, the LED readout will show the original temperature set previously. (The temperature preset at the factory is 85°F or 30°C.)

The temperature you are setting will increase by 1°C or 5°F each time you touch the UP key and will decrease by 1°C or 5°F each time you touch the DOWN key. Press and hold either key to advance the values rapidly.

The range of set temperatures is from 80°F/25°C to 200°F/95°C.

To view the set temperature at any time, touch the UP or DOWN key. The set temperature will temporarily flash in the display window for 5 seconds. Then the display shows the current inner temperature again.

The unit has a built-in timer that will automatically turn off after four hours of use. To view the left time at any time, touch the Timer key. The left time (The left two digits are for hours and the right two digits are for minutes.) will temporarily flash in the display window for 5 seconds. Then the display shows the current inner temperature again.

The timer can be adjusted from one minute to 24 hours as below.

1. Lightly touch the Timer key once and the left two digits in the display will flash.
2. Use the UP and DOWN keys to set the hours.
3. Lightly touch the Timer key again and the right two digits in the display will flash.
4. Use the UP and DOWN keys to set the minutes.
5. Lightly Touch the Timer key again to leave setting mode. Otherwise, the appliance exits the setting mode automatically after approximately 5 seconds.

## Sabbath Mode

Sabbath mode is available for the observance of certain religious holidays. This mode turns off the displays, interior light and audible alarms and prevents them from turning on again. Normal cooling or heating operations will still take place.

To initiate Sabbath mode, touch the **POWER** and **TIMER** keys at the same time and hold for at least 5 seconds. The indicator light (the dot at the bottom right of the display) will flash four times and the display will go out to confirm the Sabbath mode is ON.

Sabbath mode can be canceled by repeating the above process. The Sabbath Mode will automatically turn off after 48 hours.

In heating mode, Sabbath overrides the automatic shut off feature and Sabbath must be reset after a power outage.

## Temperature Memory Function

In the event of a power interruption (power surge, breaker switch, etc.), the unit can remember the previous temperature settings, and when power is recovered, the cabinet temperature will return to the same set temperature as before the power went off.

## Defrosting

Under normal operating conditions, the unit requires no manual defrosting.

The evaporator behind the rear wall of the unit defrosts automatically. The condensate collects in the drainage channel behind the rear wall of the unit and flows through the drainage hole into the drip tray by the compressor where it evaporates.

However, frost may accumulate on the evaporator if the unit is repeatedly opened in high heat or

high humidity locations. If this frost pattern does not clear within 24 hours, your unit will require manual defrosting.

### **Temperature Alarm / Door Alarm**

An audible alarm sounds if the storage temperature is not cold enough. The temperature display flashes at the same time.

The cause of the temperature being too high may be:

- Warm fresh food was placed inside
- Too much warm ambient air flowed in when rearranging and removing food
- Power failure for some time
- The appliance is faulty.

The audible alarm is automatically silenced and the temperature display stops flashing when the temperature is sufficiently cold again.

If a drawer has been left open for more than 60 seconds, the alarm will sound. Pressing the **POWER** key once switches off the audible alarm.

### **Safety Precautions in Warming Mode**

You could burn yourself on a hot drawer or hot crockery. Protect your hands with heat-resistant potholders or gloves when working with the hot appliance. Do not let them get wet or damp, as this causes heat to transfer through the material more quickly with the risk of scalding or burning yourself.

Do not store any plastic containers or inflammable objects in the drawer. They could melt or catch fire when the appliance is switched on, causing a fire hazard when using the warming function.

Due to the high temperatures radiated, objects left near the drawer when it is in use could catch fire. Do not use the drawer to heat up the room.

The bottom ventilation grilles and underside of the drawer gets hot when switched on. Be careful not to touch it when using the warming function.

Cookware made of plastic or aluminum foil will melt at high temperatures. When keeping food warm, use only heat-resistant cookware made of porcelain, glass, etc.

Liquids that get inside the drawer can cause the appliance to short-circuit. Open and close a loaded drawer carefully to prevent liquids from spilling.

Do not leave the drawer unattended for too long in continuous operation mode. Keeping food warm for a long time can result in it drying out or even self-igniting. Your drawer is fitted with a safety switch-off mechanism which switches it off after a maximum of 24 hours' continuous operation.

Do not obstruct the flow of ventilation air.

Do not use aluminum foil to line the warming drawer. This may cause damage to interior surfaces of the warming drawer.

# CARE AND MAINTENANCE

## Cleaning your Appliance

Turn off the power, disconnect the appliance from the power, and remove all items, including racks and dividers.

Wash the inside surfaces with a solution of warm water and baking soda (about 2 tablespoons of baking soda to a quart of water).

Wash the racks and dividers with a mild detergent solution.

Wring excess water out of the sponge or cloth when cleaning the area where the controls are located, or any electrical parts.

Wash the outside cabinet with warm water and mild liquid detergent. Rinse well and wipe dry with a clean, soft cloth.

Use an approved stainless steel cleaner to clean the doors and handles. Do not use steel wool or a steel brush on the stainless steel.

*CAUTION: Failure to disconnect the appliance from the power before cleaning could result in electrical shock or other personal injury.*

*WARNING: Allow the drawer to cool down to a safe temperature before cleaning after warming use.*

The drawer and accessories should be cleaned and dried thoroughly after each warming use.

## Power Failure

Most power failures are corrected within a few hours and should not affect the temperature of your appliance if you minimize the number of times the drawers are opened. If the power is going to be off for a longer period of time, you need to take the proper steps to protect the contents.

## Vacation Time

**Short vacations:** Leave the appliance operating during vacations of less than three weeks.

**Long vacations:** If the appliance will not be used for several months, remove all items, and turn off the appliance. Clean and dry the interior thoroughly. To prevent odor and mold growth, leave the drawers open slightly, blocking them open if necessary.

## Moving your Appliance

1. Remove all items.
2. Securely tape down all loose items (racks, dividers) inside your appliance.
3. Turn the adjustable legs up to the base to avoid damage.
4. Tape the drawer shut.
5. Be sure the appliance stays secure in the upright position during transportation. Also, protect the outside of the appliance with a blanket or similar item.

## Energy-Saving Tips

The appliance should be located in the coolest area of the room or outdoor location, away from heat-producing appliances and out of direct sunlight.

Ensure that the unit is adequately ventilated. Never cover air vents.

Do not keep the drawer open any longer than necessary.

Let hot foods cool to room temperature before placing in the unit. Overloading the unit forces the compressor to run longer.

Be sure to wrap foods properly, and wipe containers dry before placing them in the unit. This cuts down on frost build-up inside the unit.

Unit bins and racks should not be lined with aluminum foil, wax paper, or paper toweling. Liners interfere with cold air circulation, making the unit less efficient.

Organize and label food to reduce drawer openings and extended searches. Remove as many items as needed at one time and close the drawer as soon as possible.

# TROUBLESHOOTING

You can solve many common problems easily, saving you the cost of a possible service call. Try the suggestions below to see if you can solve the problem before calling the servicer.

## Troubleshooting Guide

PROBLEM	POSSIBLE CAUSE	REMEDY
Appliance does not operate.	Appliance is not connected to a power supply. The appliance is turned off. Tripped circuit breaker or blown fuse	Connect the appliance.  Switch on the appliance. Switch on circuit breaker or replace fuse.
Appliance is not cold enough.	The temperature is not set correctly. The ambient temperature could require a lower temperature setting. Drawers were opened too often.  A drawer was not closed completely. Drawer is not hermetically sealed. The condenser is too dirty. The ventilation opening is blocked or too dusty.	Check the set temperature. Set a lower temperature.  Do not open drawers more often than necessary. Close drawer properly. Check the seal and clean or replace. Clean the condenser when necessary. Clear the obstructions and clean off the dust.
Appliance turns itself on and off frequently.	The room temperature is higher than average. A large amount of food has been added to the unit.  Drawers are opened too often.  A drawer is not closed completely. A drawer gasket does not seal properly.	Put the appliance in a cooler place.  Leave the appliance to work for a while until the set temperature has been reached. Do not open the drawers more often than necessary. Close drawer properly. Check the drawer seal and clean or replace it.
Vibrations	The appliance is not properly leveled.	Level the appliance with the adjustable feet.
The appliance seems to make too much noise.	The rattling noise may come from the flow of the refrigerant, which is normal. As each cycle ends, you may hear gurgling sounds caused by the flow of refrigerant in your appliance. If temperature fluctuations occur, the contraction and expansion of the inner walls may cause popping and crackling noises.	
	The appliance is not properly leveled.	Level the appliance with the adjustable feet.
Drawer will not close properly.	The appliance is not properly leveled.  The gaskets are dirty. The racks or bins are out of position.	Level the appliance with the adjustable feet. Clean the drawer gaskets. Check the racks and bins and refit correctly.
Display "E1",	Error codes.	Try resetting the controls by

“E2”, “E3”, “E4”, “E5” or “E7”.		disconnecting power to the unit for 5 minutes, then reconnecting. If the error code returns and the user cannot resolve the problem, call for service.
The alarm sounds and the temperature display flashes.	Has a drawer been open for longer than 60 seconds? If not, then the temperature has risen higher or fallen lower than the temperature that has been set. This could be due to: The appliance drawers being opened too often. The ventilation opening being covered or too dusty. A lengthy interruption in the power supply. A large amount of food has been added to the unit.	If yes, close the drawer.  Do not open drawers more often than necessary. Clear the obstructions and clean off the dust. Leave the appliance to work for a while until the set temperature has been reached.
The icon “--” is lit and flashing in the temperature display.	The display temperature is out of range.	Only temperatures within the range 16~210°F/-9~99°C can be displayed. If the temperature is not within this range, the icon “--” will be displayed instead. This is normal.
Appliance is not hot enough.	The temperature is not set correctly. The ventilation opening is covered up.	Check the set temperature. Clear the obstructions and ensure the air can circulate freely.

If you have checked the table above and find that you still need help with your appliance, call our Customer Service facility at **800-932-4267** between 9:00 AM and 5:00 PM ET or visit our website. <https://www.summitappliance.com/support> at any time. We will do our best to answer your questions.

**CALIFORNIA CARB/SNAP DISCLOSURE**

**This product uses eco-friendly hydrocarbon refrigerant and fully complies with California CARB regulations.**

However, we are required by California Law to provide the following disclosure statement in every product sold in California.

*"This equipment is prohibited from use in California with any refrigerants on the 'List of Prohibited Substances' for that specific end-use, in accordance with California Code of Regulations, title 17, section 95374. This disclosure statement has been reviewed and approved by Felix Storch, Inc. and Felix Storch, Inc. attests, under penalty of perjury, that these statements are true and accurate."*

This product does **not** use any refrigerants on the List of "Prohibited Substances".

# NOTES

# NOTES

# NOTES

# LIMITED WARRANTY

## ONE-YEAR LIMITED WARRANTY

Within the 48 contiguous United States, for one year from the date of purchase, when this appliance is operated and maintained according to instructions attached to or furnished with the product, warrantor will pay for factory-specified parts and repair labor to correct defects in materials or workmanship. Service must be provided by a designated service company. Outside the 48 states, all parts are warranted for one year from manufacturing defects. Plastic parts, shelves and cabinets are warranted to be manufactured to commercially acceptable standards, and are not covered from damage during handling or breakage.

## 5-YEAR COMPRESSOR WARRANTY

1. The compressor is covered for 5 years.
2. Replacement does not include labor.

### *ITEMS WARRANTOR WILL NOT PAY FOR:*

1. Service calls to correct the installation of your appliance, to instruct you how to use your appliance, to replace or repair fuses or to correct wiring or plumbing.
2. Service calls to repair or replace appliance light bulbs or broken shelves. Consumable parts (such as filters) are excluded from warranty coverage.
3. Damage resulting from accident, alteration, misuse, abuse, fire, flood, acts of God, improper installation, installation not in accordance with electrical or plumbing codes, or use of products not approved by warrantor.
4. Replacement parts or repair labor costs for units operated outside the United States.
5. Repairs to parts or systems resulting from unauthorized modifications made to the appliance.
6. The removal and reinstallation of your appliance if it is installed in an inaccessible location or is not installed in accordance with published installation instructions.

## DISCLAIMER OF IMPLIED WARRANTIES; LIMITATION OF REMEDIES

CUSTOMER'S SOLE AND EXCLUSIVE REMEDY UNDER THIS LIMITED WARRANTY SHALL BE PRODUCT REPAIR AS PROVIDED HEREIN. IMPLIED WARRANTIES, INCLUDING WARRANTIES OF MERCHANTABILITY OR FITNESS FOR A PARTICULAR PURPOSE, ARE LIMITED TO ONE YEAR. WARRANTOR SHALL NOT BE LIABLE FOR INCIDENTAL OR CONSEQUENTIAL DAMAGES. SOME STATES DO NOT ALLOW THE EXCLUSION OR LIMITATION OF INCIDENTAL OR CONSEQUENTIAL DAMAGES, OR LIMITATIONS ON THE DURATION OF IMPLIED WARRANTIES OF MERCHANTABILITY OR FITNESS, SO THESE EXCLUSIONS OR LIMITATIONS MAY NOT APPLY TO YOU. THIS WARRANTY GIVES YOU SPECIFIC LEGAL RIGHTS AND YOU MAY ALSO HAVE OTHER RIGHTS, WHICH VARY FROM STATE TO STATE.



**WARNING:** This product can expose you to chemicals including Nickel (Metallic) which is known to the State of California to cause cancer.

For more information go to [www.P65Warnings.ca.gov](http://www.P65Warnings.ca.gov)

Note: Nickel is a component in all stainless steel and some other metallic compositions.

**FELIX STORCH, INC.**  
770 Garrison Avenue  
Bronx, NY10474  
Phone: (718) 893-3900  
Fax: (844) 478-8799  
[www.summitappliance.com](http://www.summitappliance.com)

# SUMMIT

For parts and accessory ordering,  
troubleshooting and helpful hints, visit:  
[www.summitappliance.com/support](http://www.summitappliance.com/support)